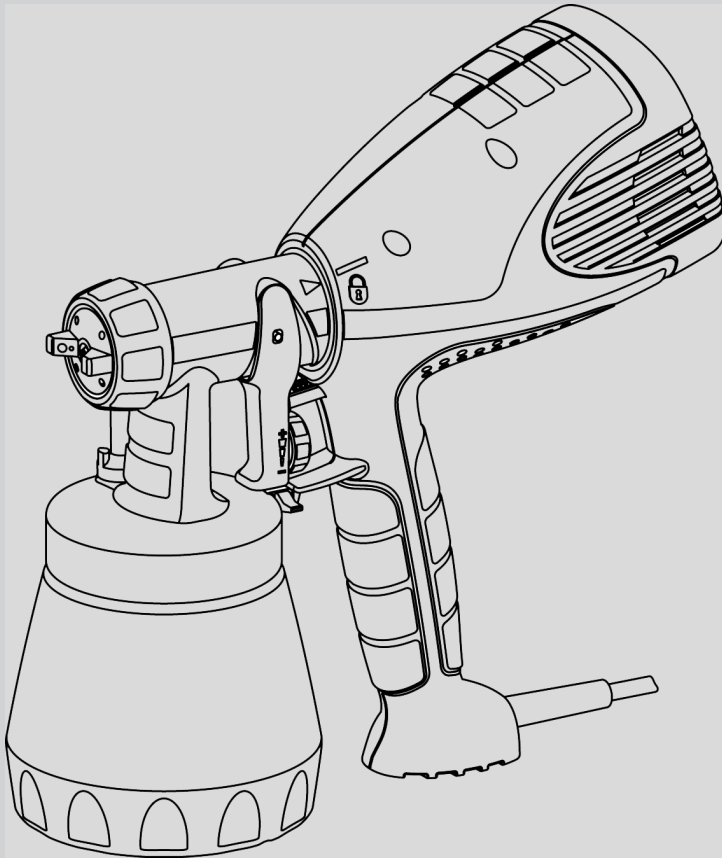


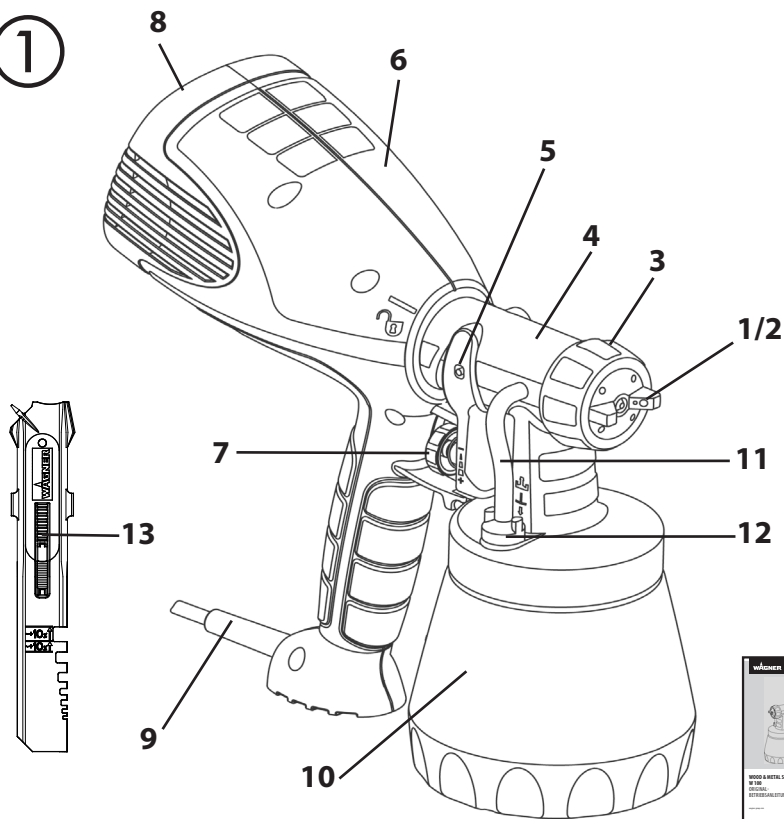
WAGNER



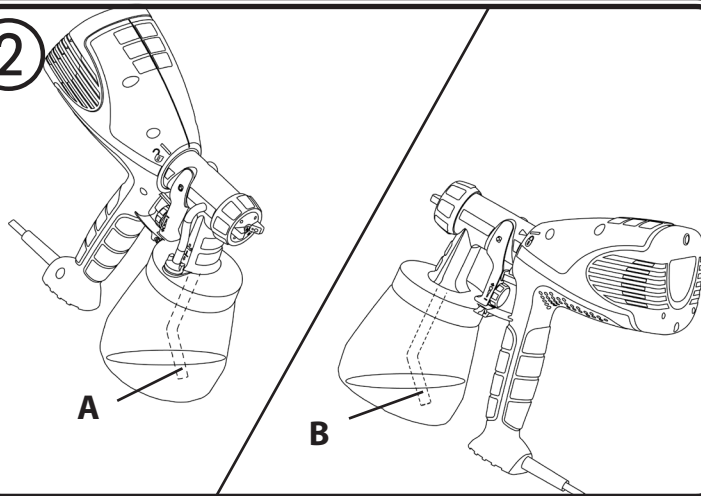
WOOD & METAL SPRAYER W 100 OPERATING INSTRUCTIONS

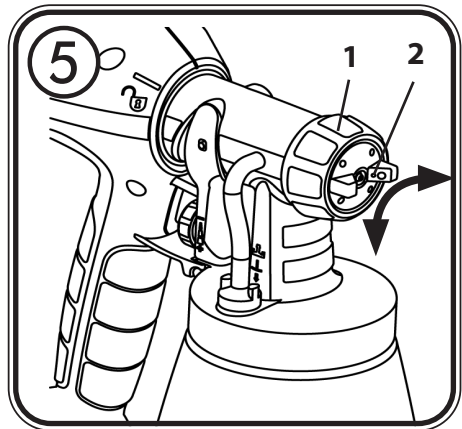
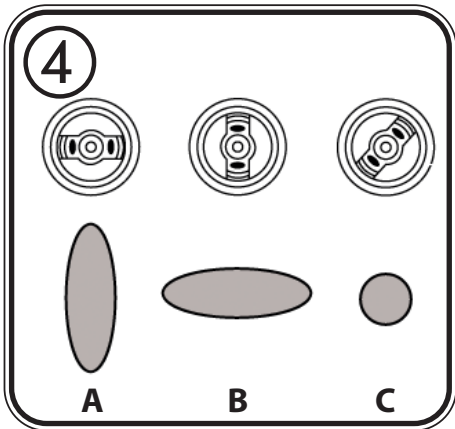
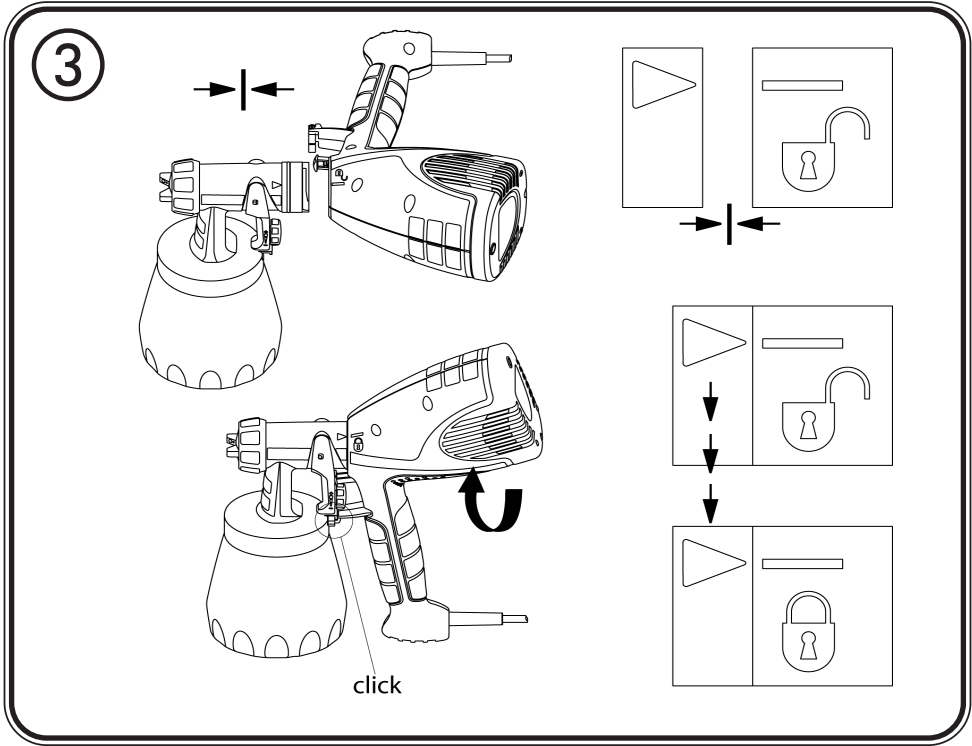
AUS

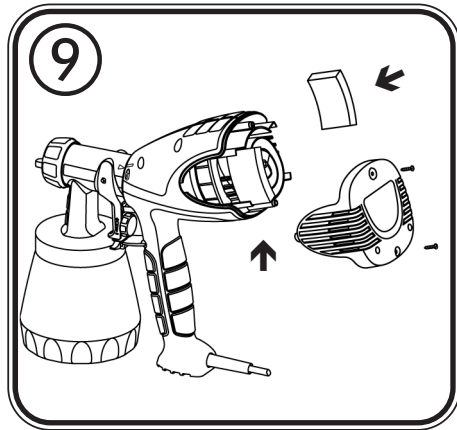
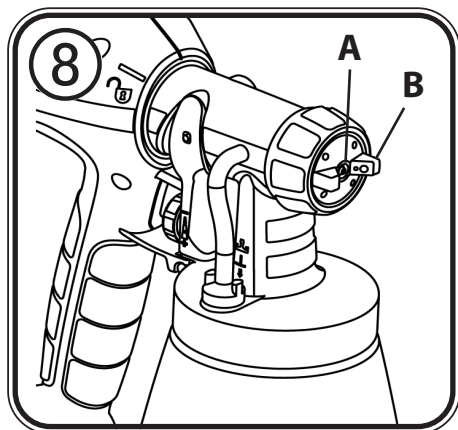
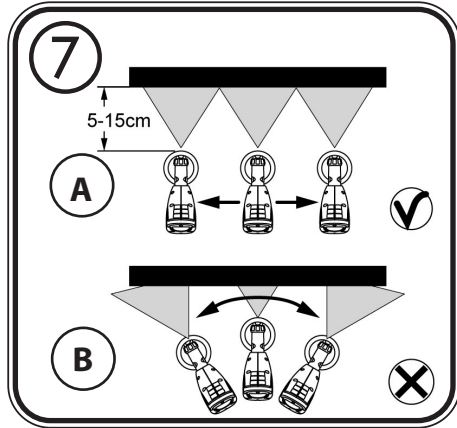
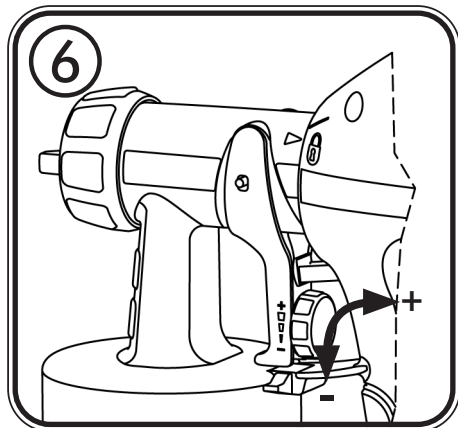
1



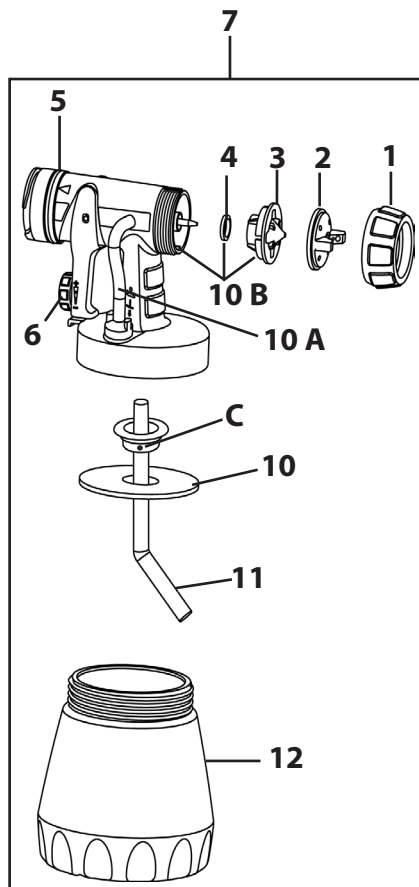
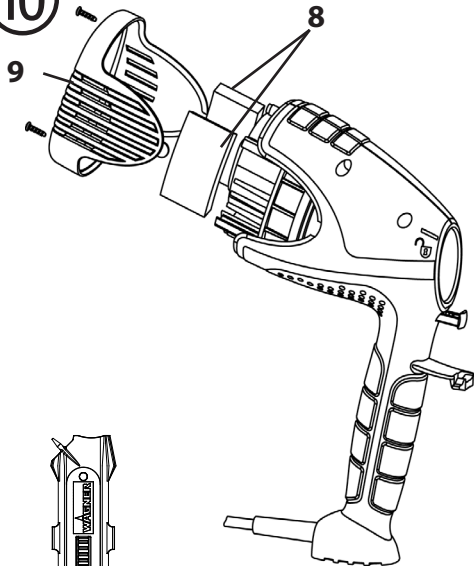
2



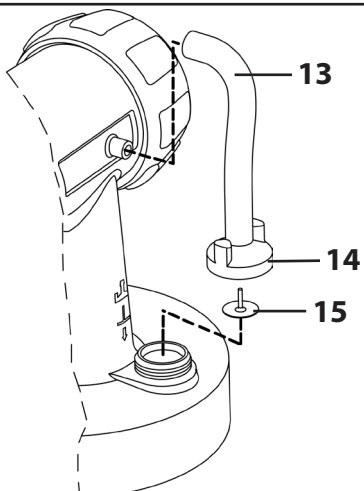




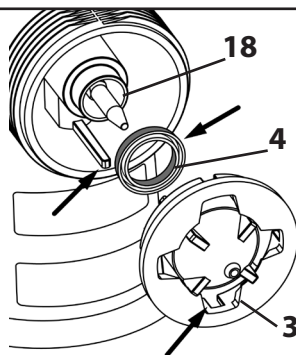
10



10A



10B



Contents

1. Explanation of symbols used	1
2. General Safety Instructions	1
3. Safety Instructions for Spray Guns	4
4. Description/ Scope of delivery	5
5. Coating Materials Suitable for Use	5
6. Coating Materials Not Suitable for Use.....	5
7. Preparation of the Coating Material	6
8. Start-up	6
9. Adjusting the desired Spray Setting	7
10. Adjusting the Material Volume (Fig. 6)	7
11. Spray Technique.....	7
12. Interruption of Work till 4 Hours.....	7
13. Taking Out of Operation and Cleaning.....	8
14. Maintenance	9
15. Spare Parts List	9
16. Accessories.....	10
17. Correction of Malfunctions.....	10
18. Technical Data.....	11
19. Environmental protection.....	12
20. Important Note regarding Product Liability!	12

Translation of the original operating instructions




MANY THANKS FOR PLACING YOUR TRUST IN US

We would like to congratulate you on purchasing this brand product from Wagner; we are sure that you will enjoy working with it greatly.

Please read the Operating Manual carefully and observe the safety information before starting the device. Store the Operating Manual in a safe place close to the product in case it needs to be used by someone else.

We would be happy to be of assistance if you have any questions, suggestions or requests. Please contact us via the phone number included on the back page or via our homepage, www.wagner-group.com/service.

1. Explanation of symbols used

	This symbol indicates a potential danger for you or for the device. Under this symbol you can find important information on how to avoid injuries and damage to the device.
	Danger of electrical shock
	Indicates tips for use and other particularly useful information.

2. General Safety Instructions

Caution! *Read all safety warnings and all instructions. Failure to follow the warnings and instructions may result in electric shock, fire and/or serious injury.*



Save all warnings and instructions for future reference.

The term "power tool" in the warnings refer to your mains-operated (corded) power tool or battery-operated (cordless) power tool.

1. Safety at the workplace

- Keep your workplace clean and well lit.** *Disorder or unlit workplaces may result in accidents.*
- Never use the tool in hazardous areas that contain flammable liquids, gases or dusts.** *Power tools generate sparks that can ignite the dust or vapors.*
- Keep children and other persons away when using the power tool.** *You can lose control of the tool if you are distracted.*

2. Electrical Safety

- a) **The tool plug must fit into the socket. The plug may not be modified in any form. Do not use adaptor plugs together with protective-earthed tools.** *Unmodified plugs and suitable sockets reduce the risk of an electric shock.*
- b) **Avoid physical contact with earthed surfaces such as pipes, heating elements, stoves and refrigerators.** *The risk through electric shock increases if your body is earthed.*
- c) **Keep the equipment away from rain and moisture.** *The risk of an electric shock increases if water penetrates electrical equipment.*
- d) **Do not misuse the mains lead by carrying the tool by the lead, hanging it from the lead or by pulling on the lead to remove the plug. Keep the lead away from heat, oil, sharp edges or moving tool parts.** *Damaged or twisted leads increase the risk of an electric shock.*
- e) **If you work outdoors with a power tool, only use extension cables suitable for outdoor use.** *The use of an extension lead that is suitable for outdoors reduces the risk of an electric shock.*
- f) **If you cannot avoid using the tool in a damp environment, use a residual current operated circuit-breaker.** *Using a residual current operated circuit-breaker avoids the risk of electric shock.*

3. Safety of Persons

- a) **Be attentive. Pay attention to what you are doing and work sensibly with a power tool. Do not use the tool if you are tired or under the influence of drugs, alcohol or medication.** *Just a moment of inattentiveness while using the tool can lead to serious injuries.*
- b) **Wear personal safety equipment and always wear safety goggles** *Wearing personal protective equipment, such as dust mask, non-slip safety shoes, safety helm or ear protection, depending on the type of power tools, reduces the risk of injury.*
- c) **Avoid accidental starting-up. Make sure that the electric tool is switched off before you connect it to the power supply, pick it up or carry it.** *Accidents can occur if you carry the power tool while your finger is on the switch or if you connect the power tool to the power supply which it is on.*
- d) **Remove setting tools or wrenches before switching on the power tool.** *A tool or wrench that is in a rotating tool part can lead to injuries.*

- e) **Avoid an unnatural posture. Ensure that you are standing securely and have your balance at all times.** *This ensures that you can control the tool better in unexpected situations.*
- f) **Wear suitable clothing. Do not wear wide clothing or jewellery. Keep your hair, clothes and gloves away from moving parts.** *Loose clothing, jewellery or long hair can be caught in moving parts.*
- g) **Do not lull yourself into a false sense of security and do not think yourself above the safety rules for electric tools, even if you are familiar with the electric tool following extensive practical experience.** *Careless use can lead to serious injuries in fractions of a second.*

4. Usage and treatment of the electric tool

- a) **Do not overload the tool. Use the power tool designed for the work that you are doing.** *You work better and safer in the specified performance range if you use the suitable power tool.*
- b) **Do not use power tools whose switch is defective.** *A power tool that cannot be switched on or off is dangerous and has to be repaired.*
- c) **Remove the plug from the socket before carrying out tool settings, changing accessories or putting the tool away.** *This precautionary measure prevents unintentional starting of the tool.*
- d) **Store unused power tools so that they are inaccessible to children. Do not let persons use the tool who are not familiar with it or who have not read these instructions.** *Power tools are dangerous when they are used by inexperienced persons.*
- e) **Take proper care of your tools. Check whether the moving parts function trouble-free and do not jam, whether parts are broken or damaged so that the tool function is impaired. Have damaged parts repaired before using the tool.** *Many accidents have their origin in power tools that have been maintained badly.*
- f) **Use the power tool, accessories, insert tools, etc. in accordance with these instructions and in a fashion specified for this special tool type. Take the working conditions and the activity to be carried out into consideration.** *The use of power tools for purposes other than the intended ones can lead to dangerous situations.*
- g) **Keep the handles and grip surfaces dry, clean and free of oil and grease.** *Slippery handles and grip surfaces hamper safe operation and control of the electric tool in unforeseen situations.*

5. Service

- a) **Have your tool repaired only by qualified specialist personnel and only with original spare parts.** *This ensures that the tool safety is maintained.*
- b) **If the supply cord is damaged, it must be replaced by the manufacturer or its service agent or a similarly qualified person in order to avoid a safety hazard.**

3. Safety Instructions for Spray Guns

- The device may not be used in workplaces covered by the explosion-protection regulations.
- There must be no sources of ignition such as, for example, open fires, smoke of lit cigarettes, cigars and tobacco pipes, sparks, glowing wires, hot surfaces, etc. in the vicinity during spraying.
- Do not spray any substances whose hazard potential is not known.
- Before working on the spray gun remove the power plug from the socket.
- Do not use the spray guns to spray flammable substances.
- The spray guns are not to be cleaned with flammable solvents.
- Caution against dangers that can arise from the sprayed substance and observe the text and information on the containers or the specifications given by the substance manufacturer.
- **Caution!** Wear breathing equipment: Paint mist and solvent vapors are damaging to health. Always wear breathing equipment and only work in well ventilated rooms or using supplementary ventilating equipment. It is advisable to wear working clothing, safety glasses, ear protection and gloves.



CAUTION: DANGER OF INJURY!

Never point the spray stream towards human beings or animals.



Sockets and plugs must be masked. Risk of an electric shock as a consequence of sprayed material entering the socket!



Attention! Never operate the device if the nozzle seal is either damaged or missing. If the nozzle seal is either missing or damaged liquids can enter the device and increase the risk of an electric shock. Check the nozzle seal before each use.

- When working with the W 100 indoors as well as outdoors ensure that no solvent vapors are sucked in by the spray gun.
- When working outdoors, be aware of the wind direction. Wind can carry the coating substance across greater distances - thus causing damage. When working indoors, provide for adequate ventilation.
- Do not let children handle the device.

- Never open the device yourself in order to carry out repairs in the electrical system!



The units may only be used with a functional valve. **If paints rises in the ventilating hose (Fig. 1, item 11) do not operate the unit further!** Dismantle and clean the ventilating hose, valve and diaphragm and replace the diaphragm if necessary.

- Do not lay the spray gun.

With original WAGNER accessories and spare parts, you have the guarantee that all safety regulations are fulfilled.

4. Description/ Scope of delivery

Description/ Scope of delivery (Fig. 1)	
1) Air Cap	2) Nozzle
3) Union nut	4) Spray gun front part
5) Trigger	6) Spray gun rear part
7) Material volume adjustment	8) Air filter cover
9) Mains lead	10) Container
11) Ventilating hose	12) Valve
13) Stir stick	14) Operating instructions
15) Replacement nozzle seal*	16) Lubricating grease*

* This is inside the container: remove it before starting operations!

5. Coating Materials Suitable for Use

Water- and solvent-based paints, finishes, primers, impregnations, staining sealers, wood sealer-preservatives and oils.

6. Coating Materials Not Suitable for Use

Wall paints, alkali and acidic paints. Flammable materials.

7. Preparation of the Coating Material

The enclosed spray attachment can be used to spray paints, varnishes and glazes that are undiluted or slightly diluted. Detailed information is available in the technical data sheet of the manufacturer (→ Internet download).

1. Stir the material up and put the required amount into the paint container.

Thinning recommendation

Thinning recommendation	
Sprayed material	
Glazes, wood preservatives, mordants, oils, impregnations	undiluted
Paints containing solvents and water-soluble paints, primers	dilute by 5 - 10%

2. If the convey capacity is too low, add 5 - 10% dilution step-by-step until the convey capacity fulfils your requirements.

8. Start-up

Before connecting to the mains supply, be sure that the supply voltage is identical with the value given on the rating plate.

- Unscrew the container from the spray gun.
- Aligning suction tube. (Fig. 2)

If the suction tube is positioned correctly, the container contents can be sprayed without almost any residue.

When working on lying objects: Turn the suction tube forwards. (Fig. 2 A)

Spraying work when working on overhead objects: Turn the suction tube rearwards. (Fig. 2 B)

- Set the container on a sheet of paper, pour in the prepared coating material and screw the container tightly onto the spray gun.
- Connect the front part with the rear part of the gun (Fig. 3).
- Put the machine down only on a level, clean surface. Otherwise the machine could tip over!
- Pull the trigger guard. The W 100 has a two-stage trigger guard. In the first stage the turbine is started. If the trigger guard is pressed further, the material is transported.
- Adjust the spray setting on the spray gun.

9. Adjusting the desired Spray Setting

Three different spray jet settings can be chosen on the spray gun, depending on the application and target object.



WARNING! Danger of injury! Never pull the trigger guard while adjusting the air cap.

With the union nut (fig. 5, 1) slightly unscrewed, turn the air cap (2) to the desired spray setting position (arrow). Then tighten the union nut.

Fig. 4 A = vertical flat jet → for horizontal surfaces

Fig. 4 B = horizontal flat jet → for vertical surfaces

Fig. 4 C = circular jet → for corners, edges and hard-to-reach surfaces

10. Adjusting the Material Volume (Fig. 6)

Set the material volume by turning the regulator on the trigger guard of the spray gun.

- turn to the left → lower material volume
- + turn to the right → higher material volume

11. Spray Technique

- The spray result depends heavily on the smoothness and cleanliness of the surface to be sprayed. Therefore the surface should be carefully prepared and kept free of dust.
- Cover all surfaces not to be sprayed.
- Cover screw threads or similar parts of the target object.
- It is advisable to test the spray gun on cardboard or a similar surface to find the correct setting.

Important: Begin spraying outside of the target area and avoid interruptions inside the target area.

- **Correct (Fig. 7a)** Be sure to hold the spray gun at an even distance of approx. 5 - 15 cm to the target object.
- **Incorrect (Fig. 7b)** Heavy spray fog build-up, uneven surface quality.
- Move the spray gun evenly cross-wise or up-and-down, depending on the spray pattern setting.
- An even movement of the spray gun results in an even surface quality.
- When coating material builds up on the nozzle (A) and air cap (B) (Fig. 8), clean both parts with a solvent or water.

12. Interruption of Work

- During longer breaks, vent the container by briefly opening and then closing it again.
- Clean nozzle openings after an interruption in operation.

13. Taking Out of Operation and Cleaning

Proper cleaning is the prerequisite for problem-free operation of the paint application device. No warranty claims are accepted in case of improper or no cleaning.

- 1) Unplug the power plug. Vent the container in case of longer breaks and after the work has been terminated. This can be done by briefly turning open and then closing the container or by pulling the trigger guard and letting the paint into the original paint container.
- 2) Divide the spray gun. Press the hook (Fig. 3 b "click") slightly downwards. Turn the gun front part and gun rear part against each other and take them apart.
- 3) Unscrew the container. Empty any remaining coating material back into the material tin.
- 4) Preclean the container and suction tube with a brush. Clean the ventilating bore

(Fig. 10, C).

- 5) Pour solvent or water into the container. Screw the container back on.
Do not use flammable materials for cleaning purposes.
- 6) Assemble the gun again (Fig. 3).
- 7) Insert the power plug, turn on the machine and spray the solvent or water into a container or a cloth.
- 8) Repeat the above procedure until the solvent or water emerging from the nozzle is clear.
- 9) Turn off the machine and remove the plug.
- 10) Screw of the container and empty it. Pull out the suction tube with container seal.

CAUTION! Never clean seals, diaphragm and nozzle or air holes of the spray gun with metal objects.

The ventilation hose and diaphragm are only solvent-resistant to a limited extent. Do not immerse in solvent, only wipe.

- 11) Pull the ventilating hose (Fig. 10 A, 13) at the top from the gun body. Screw off the valve cover (14). Remove the diaphragm (15). Clean all the parts carefully.



WARNING! Never hold the spray gun rear part under water or immerse it into liquids. Clean the housing only with a moistened cloth.

- 12) Clean the outside of the spray gun and container with a cloth soaked in solvent or water.
- 13) Unscrew the union nut (Fig. 10, 1) and remove the air cap (2) and nozzle (3). Clean the air cap, nozzle seal (4) and nozzle with a brush and solvent or water.

Assembly

The unit may only be operated with an integer diaphragm (Fig. 10 A, 15).

- 1) Place the diaphragm (Fig. 10 A, 15) **with the pin facing upwards** on the bottom section of the valve. Also see the marking on the gun body.
- 2) Place on the valve cover (Fig. 10 A, 14) and screw it closed.
- 3) Place the ventilating hose (Fig. 10 A, 13) on the valve cover and on the nipple at the gun body.



Attention! Never operate the device if the nozzle seal is either damaged or missing. If the nozzle seal is either missing or damaged liquids can enter the device and increase the risk of an electric shock.

- 4) Push the nozzle seal (fig. 10 B, 4) over the needle (18); the groove (slot) should point towards you.
- 5) Put the nozzle (fig. 10 B, 3) onto the gun body and find the correct position by turning it.
- 6) Put the air cap onto the nozzle and tighten it using the union nut.
- 7) Place the container seal from below on the suction tube and slide it over the collar, while turning the container seal slightly.
- 8) Insert the suction tube with container seal in the gun body.

14. Maintenance



WARNING! Never operate the machine without the air filter; dirt could be sucked in and interfere with the function of the machine. Disconnect plug before changing parts.

- Change the air filter if it is soiled (Fig. 9).
- In order to mount the gun more easily apply lubricating grease (enclosed) liberally to the O-ring at the gun front part. (Fig. 10, Item 5)

15. Spare Parts List

Spare Parts List (Fig. 10)

Pos.	Designation	Order No.
1	Union nut	2362 873
2	Air cap	2361 747
3	Nozzle	2362 878
4	Nozzle seal	0417 706
5	O-ring	2362 875
6	Material volume regulation with spring, complete	0417 910
7	Spray gun front part complete incl. 800 ml container	2361 731
8	Air filter set	0417 912
9	Air filter cover (right + left)	2362 874
10	Container seal	2323 039
11	Suction tube	2362 876
12	Container with cover	0413 909
13,14,15	Ventilating hose, valve cover, diaphragm	2304 027
16	Stir stick	2304 419
17	Lubricating grease (no fig.)	2315 539

16. Accessories

The **CLICK&PAINT SYSTEM** with additional spray attachments and accessories offers the right tool for each work.



We recommend against using the W 100 with the Wall Extra I-Spray spray attachment.

Further information about the WAGNER range of products for renovating is available under www.wagner-group.com

17. Correction of Malfunctions

Problem	Cause	Remedy
No coating material emerges from the nozzle	<ul style="list-style-type: none"> • Nozzle clogged • Feed tube clogged • Material volume setting turned too far to the left (-) • Feed tube loose • No pressure build-up in container 	<ul style="list-style-type: none"> • Clean • Clean • Turn to the right (+) • Insert • Tighten container
Coating material drips from the nozzle	<ul style="list-style-type: none"> • Nozzle loose • Nozzle worn • Nozzle seal is missing or worn • Coating material assembly at air cap, nozzle or needle 	<ul style="list-style-type: none"> • Tighten • Change • Insert an intact nozzle seal • Clean
Atomisation too coarse	<ul style="list-style-type: none"> • Viscosity of coating material too high • Material volume too large Material volume adjusting screw turned too far to the right (+) • Nozzle contaminated • Air filter heavily soiled • Too little pressure build-up in container 	<ul style="list-style-type: none"> • Thin • Turn material volume adjusting screw to the left (-) • Clean • Change • Tighten container
Spray jet pulsates	<ul style="list-style-type: none"> • Coating material in container running out • Air filter heavily soiled • Nozzle seal is missing or worn 	<ul style="list-style-type: none"> • Refill • Change • Insert an intact nozzle seal
Coating material causes "paint tears"	<ul style="list-style-type: none"> • Too much coating material applied. 	<ul style="list-style-type: none"> • Turn material volume adjusting screw to the left (-)
Too much fog of coating material (Overspray)	<ul style="list-style-type: none"> • Distance to the object too large • Too much coating material applied 	<ul style="list-style-type: none"> • Reduce distance • Turn material volume adjusting screw to the left (-)
Paint in the ventilating hose	<ul style="list-style-type: none"> • Diaphragm soiled • Diaphragm defective 	<ul style="list-style-type: none"> • Clean the diaphragm • Replace the diaphragm

18. Technical Data

Technical Data	
Max. viscosity	90 DIN-s
Power source	230 V ~, 50 Hz
Power consumption	280 W
Atomizing output:	65 W
Protection Class:	I
Sound pressure level*	76 dB (A); Uncertainty K = 4 dB
Sound pressure output*	87 dB (A); Uncertainty K = 4 dB
Oscillation level*	< 2.5 m/s ² ; Uncertainty K = 1.5 m/s ²
Weight	1,3 kg

* Measured in accordance with EN 50580

Information about the oscillation level

The specified oscillation level has been measured according to a standard test procedure and can be used to compare against electric tools.

The oscillation level is also for determining an initial assessment of the vibrational strain.

Attention! The vibration emission value can differ from the specified value when the electric tool is actually in use, depending on how the electric tool is being used. It is necessary to specify safety measures to protect the operating personnel. These measures are based on an estimated shutdown during the actual conditions of use (all parts of the operating cycle are taken into consideration here, for example periods when the electric tool is switched off, and, when it is switched on but running without any load).

19. Environmental protection



The device and all accessories and packaging have to be recycled in an environmentally friendly manner. Do not dispose of the appliance with household waste. Support environmental protection by taking the appliance to a local collection point or obtain information from a specialist retailer. Leftover paint and solvents may not be emptied into drains, the sewage system or disposed of as household rubbish. It has to be disposed of separately as special waste. Please pay special attention to the instructions on the product packaging.

20. Important Note regarding Product Liability!

According to an EU directive, the manufacturer is only liable without limitation for faults in the product if all parts come from the manufacturer or have been approved by the manufacturer and have been mounted to the device and are operated properly. If third-party accessories or spare parts are used, the manufacturer is exonerated wholly or partly from his/her liability if use of the third-party accessories or spare parts have caused a defect in the product.

EU Declaration of conformity

We declare under sole responsibility that this product conforms to the following relevant stipulations:

2006/42/EC, 2014/30/EU, 2011/65/EU, 2012/19/EU

Applied harmonised norms:

EN 62841-1, EN 50580, EN IEC 55014-1, EN IEC 55014-2, EN IEC 61000-3-2,
EN 61000-3-3, EN 62233

3+1 years guarantee

The guarantee runs for three years, counting from the date of sale (sales slip). The guarantee is extended by a further 12 months if the device is registered online within 4 weeks of the purchase at www.wagner-group.com/3plus1. Registration is only possible if the buyer is in agreement with the data being stored that is entered during registration. The guarantee covers and is restricted to free-of-charge rectification of faults which are demonstrably attributable to the use of faulty materials in manufacture, or assembly errors; or free-of-charge replacement of the defective parts. The guarantee does not cover incorrect use or commissioning or fitting or repair work which is not stated in our operating instructions. Wearing parts are also excluded from the guarantee. The guarantee excludes commercial use. We expressly reserve the right to fulfil the guarantee. The guarantee expires if the tool is opened up by persons other than WAGNER service personnel. Transport damage, maintenance work and loss and damage due to faulty maintenance work are not covered by the guarantee. Under any guarantee claim, there must be proof of purchase of the tool through submission of the original receipt. Wherever legally possible, we exclude all liability for injury, damage or consequential loss, especially if the tool has been used for a purpose other than that stated in the operating instructions, commissioned or repaired other than in accordance with our operating instructions or if repairs are performed by someone who is unqualified. We reserve the right to perform any repairs in excess of those stated in our operating instructions. In case of guarantee or repair, please refer to your point of sale.

D
J. WAGNER GMBH
Otto-Lilienthal-Str. 18
88677 Markdorf
T +49 0180 - 55 92 46 37
hotline@wagner-group.com

SK
E-CORECO SK S.R.O.
Kráľovská ulica 8/7133
927 01 Šala
T +42 1948882850
F +42 1313700077

CZ
E-CORECO S.R.O.
Na Roudné 102
301 00 Plzeň
T +42 734 792 823
F +42 227 077 364

F
J. WAGNER FRANCE SARL
Parc Work Center
8 Route des Bois, Bâtiment C
F-38500 Voiron - France
T +33 (0)4 58 09 04 12

GB
**UK IMPORTER
WAGNER SPRAYTECH (UK) LTD**
Innovation Centre
Silverstone Park, Silverstone
Northants NN12 8GX
T + 44 (0) 1327 368410

DK
DVA A/S
Marielundvej 48 C
2730 Herlev
T +45 70 234 239

DK
ORKLA HOUSE CARE DANMARK A/S
Stationsvej 13
3550 Slangerup
Danmark
T +45 47 33 74 00
F +45 47 33 74 01

NOR
ORKLA HOUSE CARE NORGE AS
Nedre Skøyen vei 26,
PO Box 423, Skøyen
0213 Oslo
T +47 22 54 40 19
kundenservice.ohc@orkla.no

PL
WAGNER-SERVICE SP. Z O.O.
ul. E. Imieli 30
41-605 Świątchłowice
T +48 32 346 37 00
wsparcie@wagner-polska.com.pl

S
ORKLA HOUSE CARE AB
Box 133
564 23 Bankeryd
Sweden
T +46(0)36 37 63 00
info@anza.se

ROM
ROMIB S.R.L.
str. Poligonului nr. 5 - 7
100070 Ploiesti ,judet Prahova
T +40-344801240
office@romib.com.ro

CH
J. WAGNER AG
Industriestraße 22
9450 Altstätten
T +41 71 - 7 57 22 11
F +41 71 - 7 57 23 23

E
P
**MAKIMPORT
HERRAMIENTAS, S.L.**
C/ Méjico nº 6
Pol. El Descubrimiento
28806 Alcalá de Henares (Madrid)
T +34 902 199 021 /
+34 91 879 72 00
F +34 91 883 19 59

AUS
**WAGNER SPRAYTECH
AUSTRALIA PTY. LTD.,**
8 – 10 Dansu Court
Hallam, Victoria, 3803
T +61 3 9587 2000
F +61 3 9580 9120

I
WAGNER SPA
Via S. Vecchia 109,
23868 Valmadrera (LC)
Mobile +39 0341 210100
wagner_it_va@wagner-group.com